

4 pt. 110VAC In , 4 pt. 110VAC Out Module

Delivery
Code
STK

| Module Specifications | | |
|-----------------------|----------------------------|---|
| AC Power Supply Specs | Voltage Range | |
| | Number of Inputs | 4 |
| AC Input Specs | Input Voltage Range | 70-132 VAC |
| | AC Frequency | 47-63 Hz |
| | Peak Voltage | 180 Volt |
| | Input Current | 0.5mA @ 110 VAC |
| | Maximum Input Current | 0.6mA @ 132 VAC |
| | Input Impedance | 200K |
| | ON Voltage Level | 70 VAC |
| | OFF Voltage Level | 40 VAC |
| | OFF to ON Response | < 10ms |
| | ON to OFF Response | < 10ms |
| | Status Indicators | Red LED for each input |
| | Commons | 1 Common |
| | Fuse | No fuse |
| | Base Power Required (3.3V) | 10mA for all 4 on |
| | Optical Isolation | 2500 Volt |
| | Wires | 1 of 14 AWG, 2 of 18 AWG, 4 of 22 AWG |
| AC Output Specs | Number of Output Points | 4 |
| | Number of Commons | 1 |
| | Output Voltage Range | 20-132 VAC |
| | Peak Voltage | 180 Volt |
| | ON Voltage Drop | 1.2 V @ 1A |
| | Maximum Current | 1.2 A @ 25°C, 0.8A @ 50°C for each output |
| | Maximum Leakage Current | 1mA @ 132 VAC |
| | Maximum Inrush Current | 38Amps for 16.6ms |
| | Minimum Load | 15mA |
| | OFF to ON Response | max 1/2 cycle |
| | ON to OFF Response | max 1/2 cycle |
| | Fuse | No fuse |
| | Base Power Required (3.3V) | 35mA for all 4 on |
| | Optical Isolation | 2500 Volt |
| | Wires | 1 of 14 AWG, 2 of 18 AWG, 4 of 22 AWG |

EZIO-4ACI4ACO Snap-in

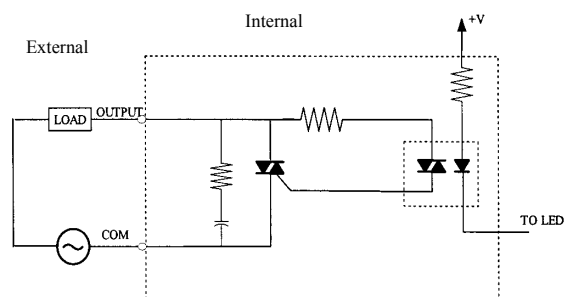
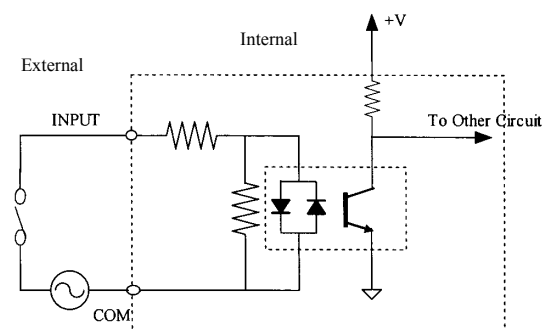


Pinout Information

| Pin No. | EZIO-4ACI4ACO |
|---------|---------------|
| 1 | Input(1) |
| 2 | Input(2) |
| 3 | Input(3) |
| 4 | Input(4) |
| 5 | AC_Common |
| 6 | Output(1) |
| 7 | Output(2) |
| 8 | Output(3) |
| 9 | Output(4) |
| 10 | AC_Common |
| 11 | Not Connected |

EZIO-4ACI4ACO Screw-down

**Terminal
Block
300 Volt/10
Amp/14AWG
UL Rating**



For EZ-LINK cables and Terminal boards look at page 9-4