

EZIO™

4 pt. 110VAC In/4 pt. 24V DC Out Module (Source)

Delivery Code
STK

Module Specifications		
AC/DC Power Supply Specs	Voltage Range	
	Number of Inputs	4
AC Input Specs	Input Voltage Range	70-132 VAC
	AC Frequency	47-63 Hz
	Peak Voltage	180 Volt
	Input Current	0.5mA @ 110 VAC
	Maximum Input Current	0.6mA @ 132 VAC
	Input Impedance	200K
	ON Voltage Level	70 VAC
	OFF Voltage Level	40 VAC
	OFF to ON Response	< 10ms
	ON to OFF Response	< 10ms
	Status Indicators	Red LED for each input
	Commons	1 Common
	Fuse	No fuse
	Base Power Required (3.3V)	10mA for all 4 on
	Optical Isolation	2500 Volt
Wires	1 of 14 AWG, 2 of 18 AWG, 4 of 22 AWG	
DC Output Specs	Number of Outputs	4 (sourcing)
	Peak Voltage	50.0 VDC
	Maximum Steady State Output Current	0.5A per output, 1.0A max per module @ 50°C
	Maximum Leakage Current	100µA @ 50 VDC @ 50°C
	ON Voltage Drop	2 VDC @ 0.5A
	Maximum Inrush Current	0.8A for 10ms
	OFF to ON Response	< 2µs
	ON to OFF Response	<10µs
	Status Indicators	Red LED for each output
	+V Terminals & Commons	One V+, 1 Common
	Short Circuit Protection	1 Amp per module, turns off outputs upon short circuit detection
	Base Power Required (3.3V)	24mA, for all 4 on
	Optical Isolation	2500 Volt
	Wires	1 of 14 AWG, 2 of 18 AWG, 4 of 22 AWG
	Wires	1 of 14 AWG, 2 of 18 AWG, 4 of 22 AWG

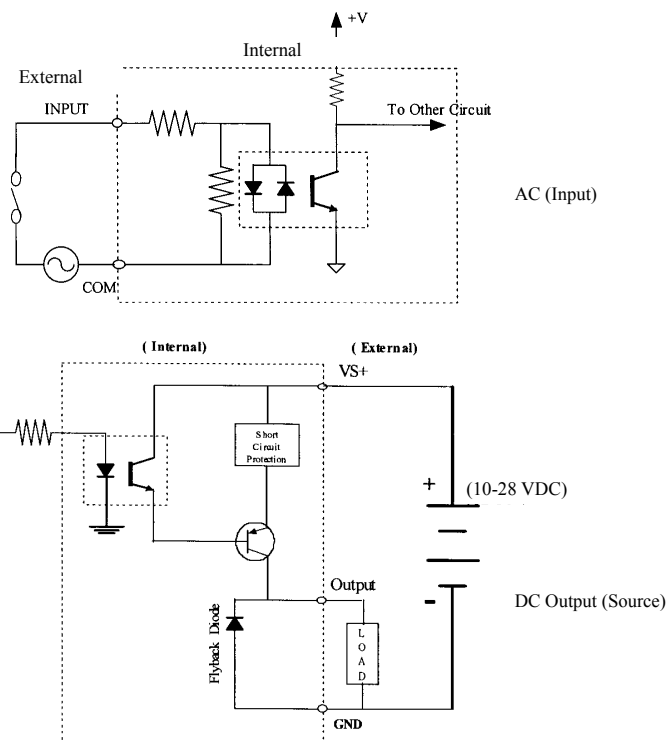
EZIO-4ACI4DCOP Snap-in



Pinout Information	
Pin No.	EZIO-4ACI4DCOP
1	Input(1)
2	Input(2)
3	Input(3)
4	Input(4)
5	AC_Common
6	Output(1)
7	Output(2)
8	Output(3)
9	Output(4)
10	GND
11	Customer_Supply(+VS)

EZIO-4ACI4DCOP Screw-down

Terminal Block
300 Volt/10 Amp/
14AWG UL Rating



For EZ-LINK cables and Terminal boards look at page 9-4