

# 4 pt. Analog In/4 pt. Analog Out Module (Current)

Delivery  
Code  
3DAY

## EZIO-4ANI4ANOC Snap-in

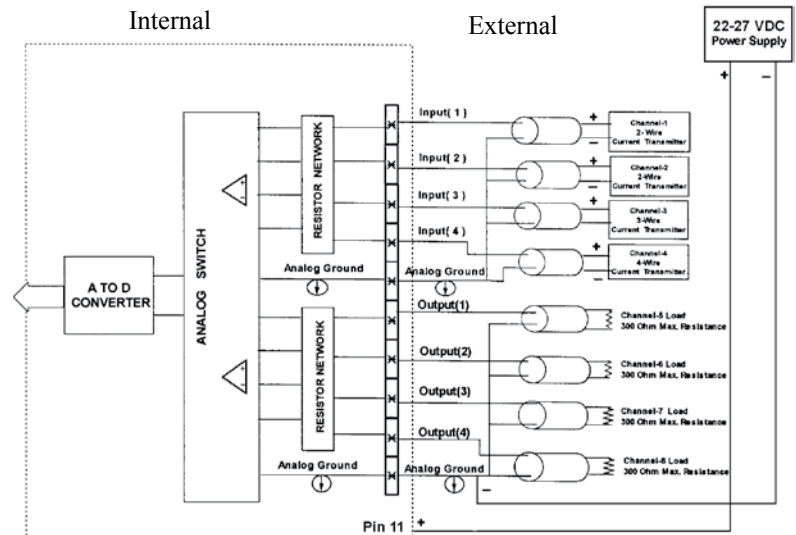


Module Specifications		
Analog Current Input Specs	Number of Channels	4 Single Ended
	Input Range	0-20mA or 4-20 mA DIP switch selectable
	Resolution	12 bit (1-4096)
	Step Response	1ms for 95% FS
	Crosstalk	1/2 count max, -80db
	Input Impedance	62.5Ω ± 0.1%
	Absolute Max Ratings	-30mA to 30mA
	Converter Type	Successive Approximation
	Linearity Error (end to end)	± 2 counts
	Input Stability	± 1 count
	Full-scale Calibration Error	± 10 counts @ 20mA
	Offset Calibration Error	± 5 counts
	Max Inaccuracy	± 0.3% @ 25°C, ± 0.6% @ 60°C
Accuracy vs. Temperature	± 50 ppm/°C typical	
Recommended Fuse	.032 Amp, series 217 fast acting	
Analog Current Output Specs	Number of Channels	4 single ended
	Output Range	0-20mA, 4-20mA (DIP switch selectable)
	Output Type	Current Sourcing
	Resolution	12 bit (1-4096)
	Max. Loop Voltage	6 VDC
	Load/loop Power Supply	0-300Ω
	Linearity Error (end to end)	± 2 counts
	Conversion Setting Time	100μs for FS
	Full-scale Calibration Error	± 12 counts
	Offset Calibration Error	± 6 counts
	Max. Full-scale Inaccuracy (all errors included)	± 0.3%

Pinout Information	
Pin No.	EZIO-4ANI4ANOC
1	Output(1)
2	Output(2)
3	Output(3)
4	Output(4)
5	Customer_COM ( Analog GND)
6	Input(1)
7	Input(2)
8	Input(3)
9	Input(4)
10	Customer_COM ( Analog GND)
11	22-27 VDC

## EZIO-4ANI4ANOC Screw-down

Terminal Block  
300 Volt/10 Amp/  
14AWG UL Rating



For EZ-LINK cables and Terminal boards look at page 9-4