



# 8 pt. Analog In Module (Voltage)

Delivery Code  
STK

Module Specifications	
Number of Channels	8 single ended
Input Range	0-5, 0-10V DIP switch selectable
Resolution	12 bit (1-4096)
Step Response	200µs to 95% of FS
Crosstalk	1/2 count max, -80db
Input Impedance	>20KΩ
Absolute Max Ratings	± 15V
Converter Type	successive approximation
Linearity Error (end to end)	± 2 count
Input Stability	± 2 count
Gain Error	± 2 counts
Offset Calibration Error	± 5 counts
Max Inaccuracy	± 0.2% at 25°C, ± 0.4% at 0-60°C
Accuracy vs. Temperature	± 50 ppm/°C typical

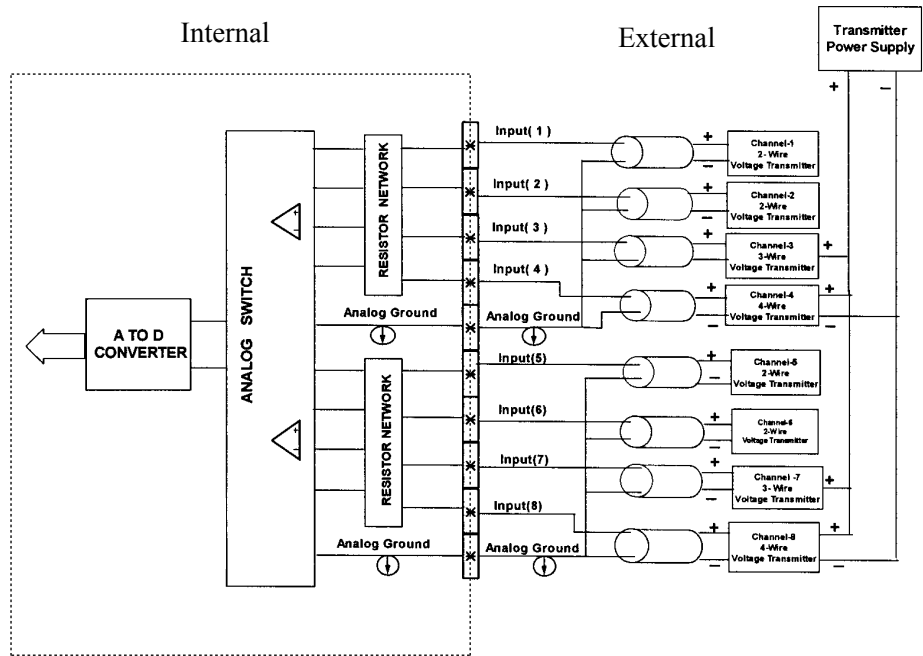
**EZIO-8ANIV**  
Snap-in



**Terminal Block**  
300 Volt/10 Amp/  
14AWG UL Rating

**EZIO-8ANIV**  
Screw-down

Pinout Information	
Pin No.	EZIO-8ANIV
1	Input(1)
2	Input(2)
3	Input(3)
4	Input(4)
5	Customer_COM ( Analog GND)
6	Input(5)
7	Input(6)
8	Input(7)
9	Input(8)
10	Customer_COM ( Analog GND)
11	Not Connected



**For EZ-LINK cables and Terminal boards look at page 9-4**