

## EZ iMarquee - 2 Lines 20 Characters

### 2 Lines 20 Characters - NEMA 4 | IP54

The 2 Line 20 Char EZ iMarquee can hold up to a maximum of 20 characters (2") per line and features 2 lines of Tri-Color LEDs.

EZ iMarquees are enclosed in NEMA 4 extruded aluminum housing with NEMA ICS 2-230 level of electrical noise immunity.

All 2 Line 20 Character models are capable of communicating over RS232, RS422/485 and Ethernet. This is a Master and Slave LED Message Display with built-in PLC protocols and data logger.

### 2 Lines 20 Characters feature:

- 2 lines of 20 characters max
- Pre-matched LEDs
- 24 Hour Burn-In tested
- International Character Set
- Hang Mounting
- NEMA 4 Housing
- NEMA ICS 2-230
- 110/220 VAC Power Input
- Surge Protection
- 100,000+ Hours Rated Life

### Characteristics:

Character Height:	2" / 4"
Characters per Line:	20 / 10
Number of Lines:	2 / 1
Visibility:	100' / 200'

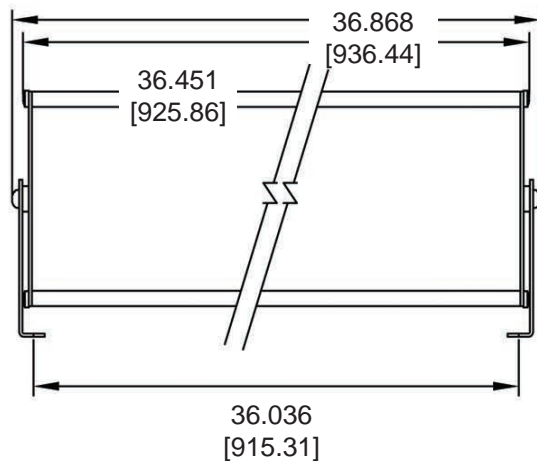
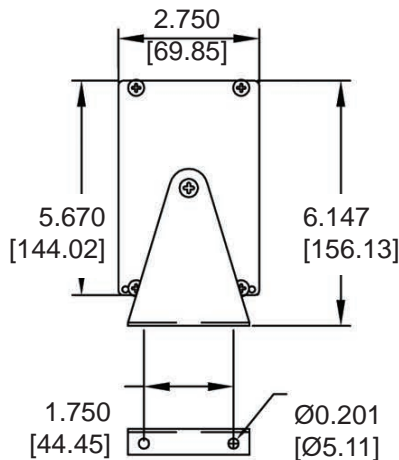
### iMarquee features:

- Built-in PLC Protocols to Major Brand PLCs
- Store messages locally on the EZ iMarquee
- No PLC Ladder Logic Changes required to display plant / machine messages or alerts
- Datalogging Built-in
- Webserver with Remote Access
- Built-in Message Database
- Built-in Alarm Database
- Advanced Scripting/Logic within the Marquee Display itself



Model Number	Interface
<b>EZiMT-2L20C</b>	RS232, RS422/485 and Ethernet included

### 2 Lines 20 Characters Dimensions



MOUNTING HOLE CENTERS