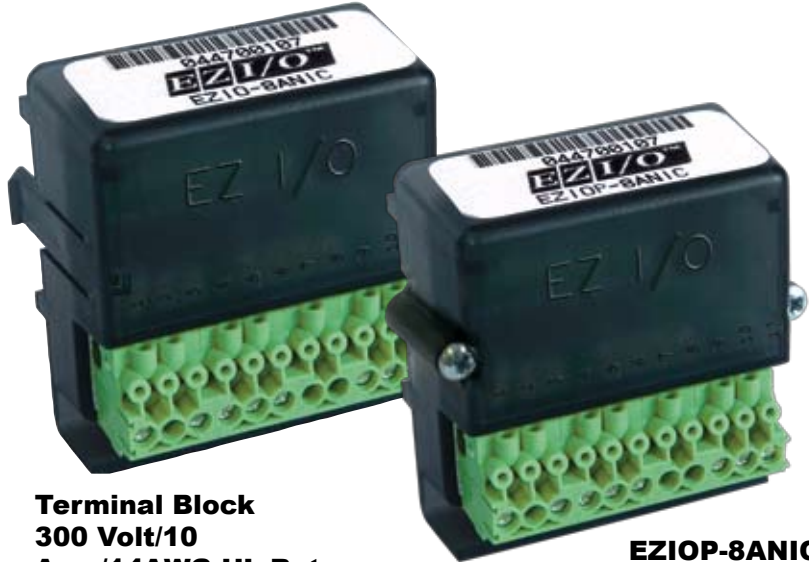




8 pt. Analog In Module (Current)

EZIO-8ANIC Snap-in

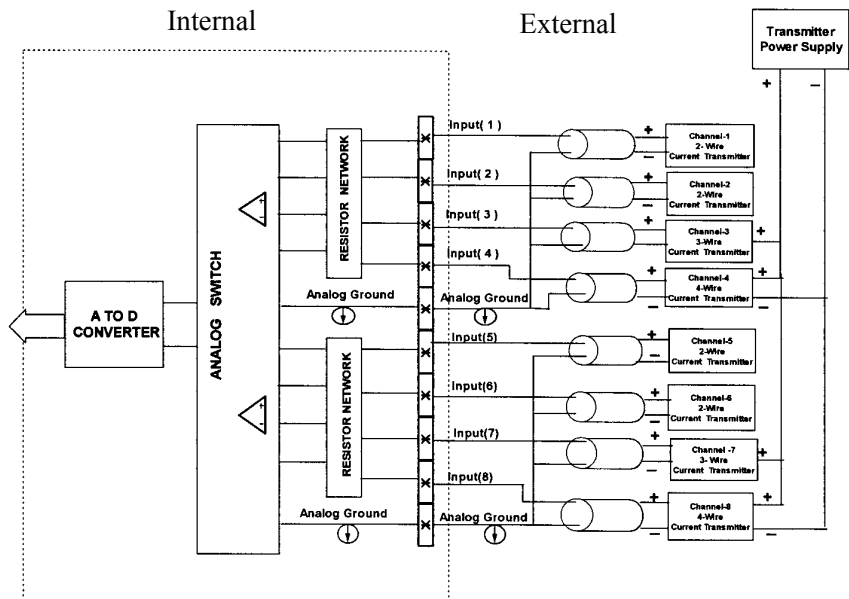
Module Specifications	
Number of Channels	8 Single Ended
Input Range	0-20mA or 4-20 mA DIP switch selectable
Resolution	12 bit (1-4096)
Step Response	200µs for 95% FS
Crosstalk	1/2 count max, -80db
Input Impedance	62.5Ω ± 0.1%
Absolute Max Ratings	-30mA to 30mA
Converter Type	Successive Approximation
Linearity Error (end to end)	± 2 counts
Input Stability	± 1 count
Full-scale Calibration Error	± 10 counts @ 20mA
Offset Calibration Error	± 5 counts
Max Inaccuracy	± 0.3% @ 25°C, ± 0.6% @ 60°C
Accuracy vs. Temperature	± 50 ppm/°C typical
Recommended Fuse	.032 Amp, series 217 fast acting



**Terminal Block
300 Volt/10
Amp/14AWG UL Rat-
ing**

**EZIO-8ANIC
Screw-down**

Pinout Information	
Pin No.	EZIO-8ANIC
1	Input(1)
2	Input(2)
3	Input(3)
4	Input(4)
5	Customer_COM (Analog GND)
6	Input(5)
7	Input(6)
8	Input(7)
9	Input(8)
10	Customer_COM (Analog GND)
11	Not Connected



For EZ-LINK cables and Terminal boards look at page 9-4