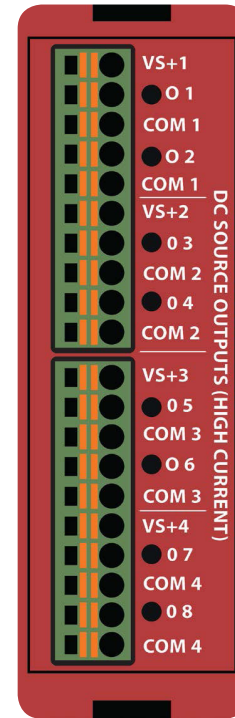




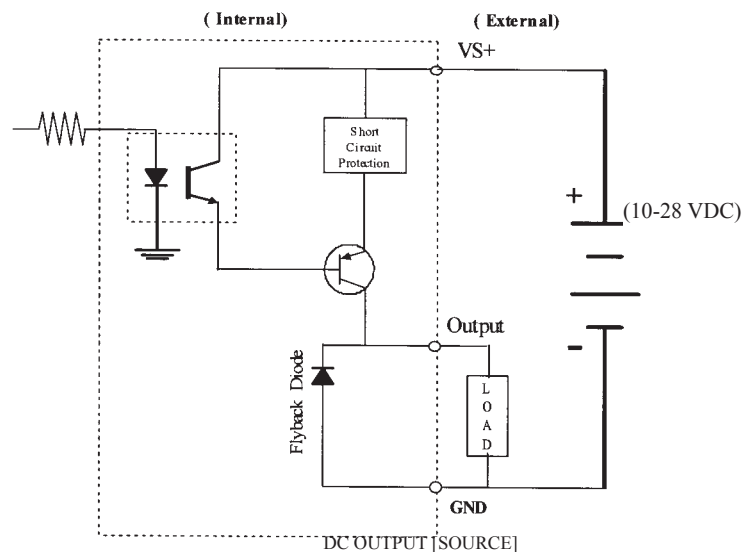
8 pt. 24VDC Output Sourcing Module (High Current, 3A / pt)

Module Specifications	
Number of Outputs	8 sourcing
Output Voltage Range	11-30 VDC
Peak Voltage	50 VDC
Maximum Steady State Output Current	3A per output, 24.0A max per module @ 50°C
Maximum Leakage Current	100µA @ 50 VDC @ 50°C
ON Voltage Drop	2 VDC @ 0.5A
Maximum Inrush Current	0.8A for 10ms
OFF to ON Response	< 2µs
ON to OFF Response	<10µs
Status Indicators	Red LED for each output
+V Terminals & Commons	Two V+, 2 Commons Separate
Short Circuit Protection	2 Amp per module, turns off outputs upon short circuit detection
Base Power Required (5V)	80mA, all outputs on
Optical Isolation	2500 Volt
Wires	14 to 24 AWG



EZRPL-IO-8DCOP-HC

Pinout Information			
1	+VS1	11	+VS3
2	Output 1	12	Output 5
3	COM 1	13	COM 3
4	Output 2	14	Output 6
5	COM 1	15	COM 3
6	+VS2	16	+VS2
7	Output 3	17	Output 7
8	COM 2	18	COM 4
9	Output 4	19	Output 8
10	COM 2	20	COM 4



Proudly Made in America