



4 pt. 24VDC In/4 pt. 24VDC Out Sinking Module



EZ I/O
EZIOP-4DCI4DCON
\$29

Delivery Code
STK

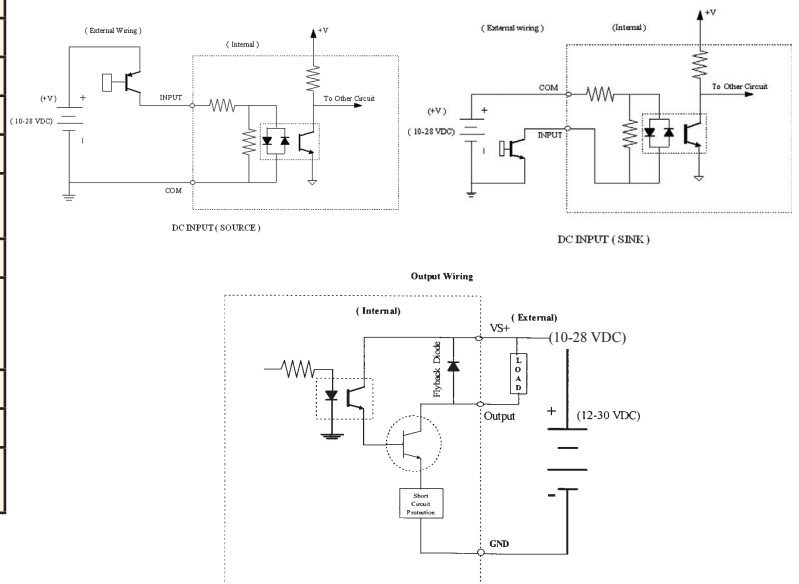
EZ I/O
EZ IOP-4DCI4DCON
Screw-down

Module Specifications			
DC Power Supply Specs	Voltage Range		
	DC Input Specs	Number of Inputs	4 (sink/source)
		Input Voltage Range	10-28 VDC
		Peak Voltage	40 VDC
		Input Current	1.92 mA @ 12 VDC 4.0 mA @ 24 VDC
		Maximum Input Current	5 mA @ 28 VDC
		Input Impedance	5.6k @ 10-28 VDC
		ON Voltage Level	> 10 VDC
		OFF Voltage Level	< 2 VDC
		Min. ON Current	1.5 mA
		Min. OFF Current	0.2 mA
		OFF to ON Response	2-4 ms, typical 3 ms
		ON to OFF Response	2-4 ms, typical 3 ms
		Status Indicators	Red LED for each output
		Commons	1 point
		Fuse	No Fuse
		Base Power Required (3.3V)	Typical 8 mA (all inputs on)
Optical Isolation		2500 Volt	
Wires	1 of 14 AWG, 2 of 18 AWG, 4 of 22 AWG		
DC Output Specs	Number of Outputs	4 sinking	
	Peak Voltage	50.0 VDC	
	Maximum Steady State Output Current	0.5A per output, 1.4A max per module @ 50°C	
	Maximum Leakage Current	100µA @ 50 VDC @ 50°C	
	ON Voltage Drop	1.5 VDC @ 0.5A	
	Maximum Inrush Current	1.0A for 10ms	
	OFF to ON Response	< 2µs	
	ON to OFF Response	<10µs	
	Status Indicators	Red LED for each output	
	+V Terminals & Commons	One V*, 1 Common	
	Short Circuit Protection	1.4 Amp per module, turns off outputs upon short circuit detection	
	Base Power Required (3.3V)	20mA, all outputs on	
	Optical Isolation	2500 Volt	
	Wires	1 of 14 AWG, 2 of 18 AWG, 4 of 22 AWG	

Pinout Information	
Pin No.	EZIO-4DCI4DCON
1	Input(1)
2	Input(2)
3	Input(3)
4	Input(4)
5	COM
6	Output(1)
7	Output(2)
8	Output(3)
9	Output(4)
10	GND
11	Customer_Supply(+VS)

Terminal Block
300 Volt/10
Amp/14AWG UL Rating

Note: Pin 5 = Input common, Pin10 = Output common



For EZ-LINK cables and Terminal boards look at page 4-5