

# EZMarquee - 1 Line 20 Characters

## 1 Line 20 Characters - NEMA 12

The 1 Line 20 Char EZMarquee can hold up to a maximum of 20 characters (2") per line and features 1 line of RED/Tri-Color LEDs. EZMarquees are enclosed in NEMA 12 extruded aluminum housing with NEMA ICS 2-230 level of electrical noise immunity. All 1 Line 20 Character models are capable of communicating over RS232 and RS422/485 along with different models for Ethernet, DeviceNet and Profibus connectivity.

### Characteristics:

Character Height: 2"  
 Characters per Line: 20  
 Number of Lines: 1  
 Visibility: 100'

## 1 Line 20 Characters features:

- 1 line of 10 characters max
- Pre-matched LEDs
- 24 Hour Burn-In tested
- International Character Set
- Hang Mounting
- NEMA 4X Housing
- NEMA ICS 2-230
- 110/220 VAC Power Input
- Surge Protection
- 100,000+ Hours Rated Life

See the different communication interface options available in the charts below.



Red Indoor

Model Number	Description
EZMR-1L20C	RS232 and RS422/485 Only
EZMR-1L20C-E	Ethernet Included
EZMR-1L20C-D	Devicenet Included
EZMR-1L20C-P	Profibus Included

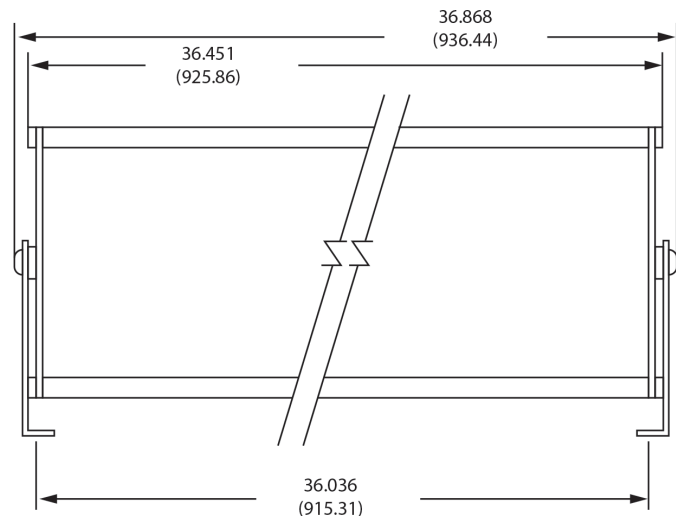
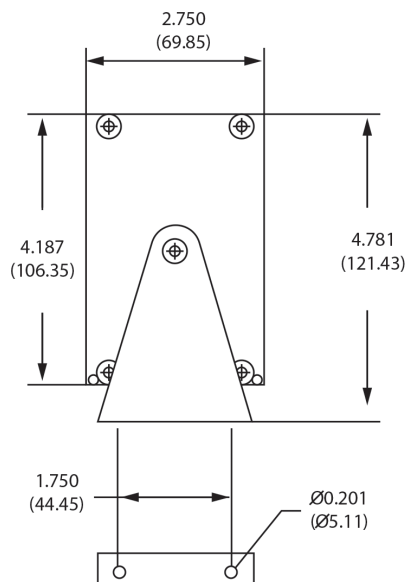


Tri Color Indoor

Model Number	Description
EZMT-1L20C	RS232 and RS422/485 Only
EZMT-1L20C-E	Ethernet Included
EZMT-1L20C-D	Devicenet Included
EZMT-1L20C-P	Profibus Included

### RED Outdoor Highbright

Model Number	Description
EZMRH-1L20C	RS232 and RS422/485 Only
EZMRH-1L20C-E	Ethernet Included
EZMRH-1L20C-D	Devicenet Included
EZMRH-1L20C-P	Profibus Included



MOUNTING HOLE CENTERS