

EZMarquee - 2 Lines 10 Characters (Outdoor)

2 Lines 10 Characters - NEMA 4X

The 2 Line 10 Char EZMarquee can hold up to a maximum of 10 characters (2") per line and features 2 lines of RED/Tri-Color LEDs. EZMarquees are enclosed in NEMA 4X extruded aluminum housing with NEMA ICS 2-230 level of electrical noise immunity. All 2 Line 10 Character models are capable of communicating over RS232 and RS422/485 along with different models for Ethernet, DeviceNet and Profibus connectivity.

Characteristics:

Character Height: 2" / 4"
 Characters per Line: 10 / 5
 Number of Lines: 2 / 1
 Visibility: 100' / 200'

2 Lines 10 Characters feature:

- 2 lines of 10 characters max
- Pre-matched LEDs
- 24 Hour Burn-In tested
- International Character Set
- Hang Mounting
- NEMA 4/4X Outdoor Housing
- NEMA ICS 2-230
- 110/220 VAC Power Input
- Surge Protection
- 100,000+ Hours Rated Life

See the different communication interface options available in the charts below



RED Outdoor



TRI color Outdoor

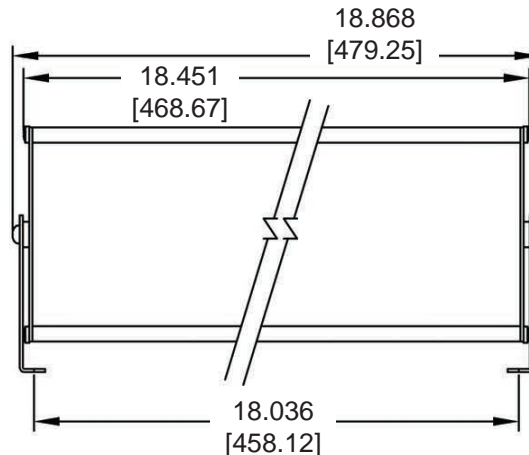
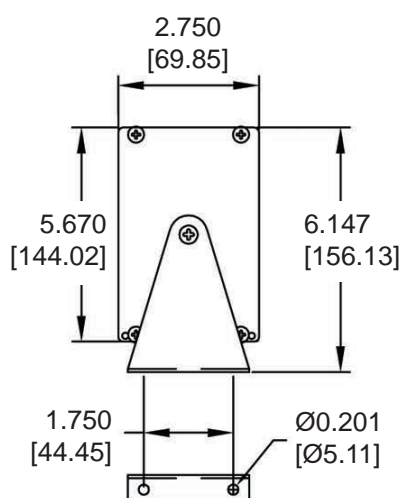
Model Number	Interface
EZMR-2L10C-OUT	RS232 and RS422/485 only
EZMR-2L10C-E-OUT	Ethernet included
EZMR-2L10C-D-OUT	DeviceNet included
EZMR-2L10C-P-OUT	Profibus included

Model Number	Interface
EZMT-2L10C-OUT	RS232 and RS422/485 only
EZMT-2L10C-E-OUT	Ethernet included
EZMT-2L10C-D-OUT	DeviceNet included
EZMT-2L10C-P-OUT	Profibus included

RED Outdoor Highbright Sunlight Readable (8000 nits)

Model Number	Interface
EZMRH-2L10C-OUT	RS232 and RS422/485 only
EZMRH-2L10C-E-OUT	Ethernet included
EZMRH-2L10C-D-OUT	DeviceNet included
EZMRH-2L10C-P-OUT	Profibus included

2 Lines 10 Characters Dimensions



MOUNTING HOLE CENTERS