

## EZMarquee - 1 Line 20 Characters (Indoor Sunlight)

### 1 Line 20 Characters - NEMA 12

The 1 Line 20 Char EZMarquee can hold up to a maximum of 20 characters (2") per line and features 1 line of RED/Tri-Color LEDs. EZMarquees are enclosed in NEMA 12 extruded aluminum housing with NEMA ICS 2-230 level of electrical noise immunity.

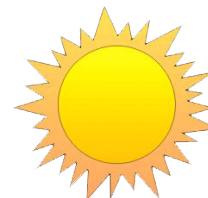
All 1 Line 20 Character models are capable of communicating over RS232 and RS422/485 along with different models for Ethernet, DeviceNet and Profibus connectivity.

### Characteristics:

Character Height:	2"
Characters per Line:	20
Number of Lines:	1
Visibility:	100'

### 1 Line 20 Characters feature:

- 1 line of 10 characters max
- Pre-matched LEDs
- 24 Hour Burn-In tested
- International Character Set
- Hang Mounting
- NEMA 12 Housing
- NEMA ICS 2-230
- 110/220 VAC Power Input
- Surge Protection
- 100,000+ Hours Rated Life



See the different communication interface options available in the charts below

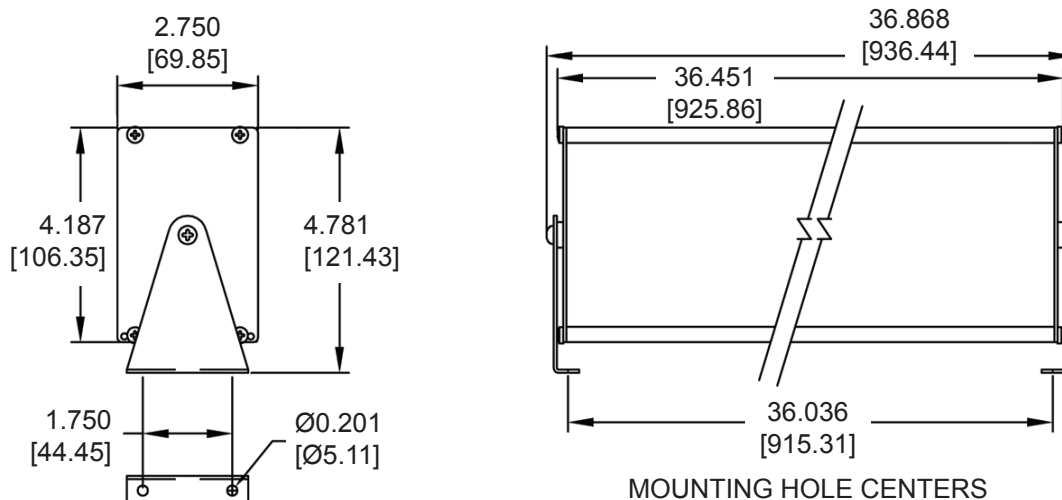


RED Indoor

RED High-bright

Model Number	Interface
<i>EZMRH-1L20C</i>	RS232 and RS422/485 only
<i>EZMRH-1L20C-E</i>	Ethernet included
<i>EZMRH-1L20C-D</i>	DeviceNet included
<i>EZMRH-1L20C-P</i>	Profibus included

### 1 Line 20 Characters Dimensions



MOUNTING HOLE CENTERS